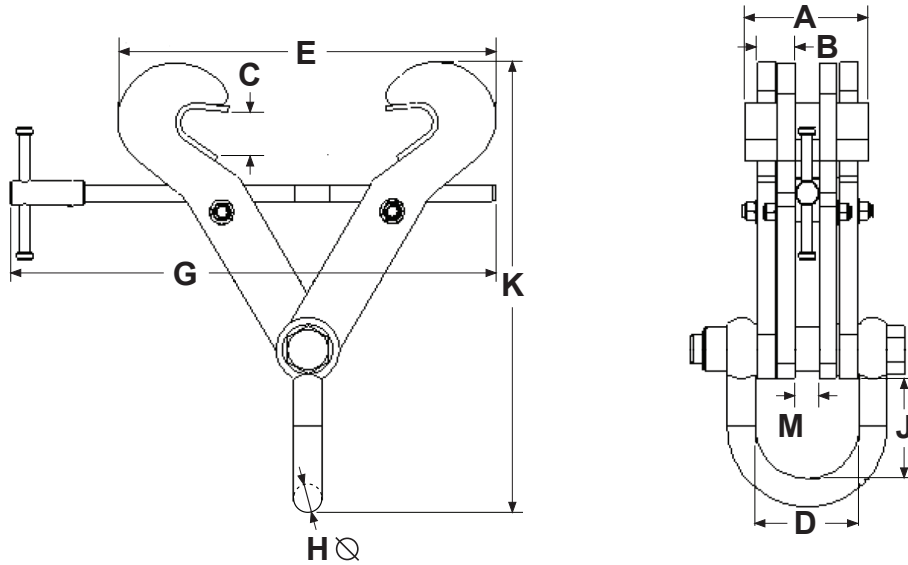


# Universal Lifting Beam Clamp—Fixed Jaw



MODEL NUMBERS		ULBC300F	ULBC300FW	ULBC500F	ULBC500FW	ULBC1000F	ULBC1500F	ULBC1500FW	ULBC2000FW
CAPACITY (POUNDS)		6,600	6,600	11,000	11,000	22,000	33,000	33,000	44,000
TEST LOAD (POUNDS)		9,900	9,900	16,500	16,500	33,000	49,500	49,500	66,000
FLANGE WIDTH RANGE (INCHES)		3.0 - 7.5	5.0 - 13.75	3.0 - 7.5	6.0 - 12.0	8.0 - 18.0	8.0 - 18.0	16.0 - 24.0	16.0 - 24.0
NET WEIGHT (POUNDS)		17.6	25.3	22.0	33.0	61.6	103.4	116.2	209.00
DIMENSIONS (INCHES)	A	5.1	5.1	5.1	5.5	5.5	6.9	6.9	13.8
	B	0.6	0.6	0.6	0.6	0.8	0.8	0.8	0.6
	C	1.1	1.1	1.8	1.8	2.2	3.0	3.0	3.0
	D	4.2	4.2	4.8	4.8	4.7	4.7	4.7	5.0
	E (MAX.)	10.7	17.1	13.4	17.7	23.6	26.8	32.9	25.2
	G	10.9	15.8	13.4	16.1	22.0	26.0	31.9	31.9
	H	0.8	0.8	1.0	1.0	1.3	1.6	1.6	2.2
	J	3.3	3.3	3.9	3.9	3.9	7.3	7.3	5.3
	K (MIN.)	10.0	11.7	12.6	13.0	16.5	21.9	25.0	24.0
	M	1.7	1.7	2.3	2.3	1.1	1.1	1.1	2.9