



BEAM CLAMP PIN TYPE / ROUND EYE TYPE MANUAL

NOTICE

The Warnings, Cautions and Instructions discussed in this instruction manual cannot cover all possible conditions and situations that may occur. It must be understood by the operator that common sense and caution are factors which cannot be built into this product, but must be supplied by the operator.

WARNING

Do not exceed the capacity of these clamps. When using multiple clamps, do not allow either lift chains to become slack, thereby overloading the remaining clamps.

OPERATION

1. Select an appropriate I-Beam in good condition, which is capable of supporting the additional load you will be putting on it.
2. You may use 2 or more clamps in combination to lift objects.

Warning: It is recommended that if using more than one clamp, great care be taken to never allow the left cable to become slack on any clamp, thereby overloading the others. This may result in sudden failure of the overloaded clamp and danger of the weight falling.

3. Open the jaws of the clamp by rotating the handle assembly counter-clockwise. Open them enough to slip the clamp over the flanges of the I-Beam.
4. Slip the open ends of the jaws over the flanges of the I-Beam and tighten the clamp by rotating the handle

clockwise. Assure that all 4 jaws of the clamp are properly aligned on the flange and tightened snugly to the beam.

5. Attach the cable or chain of the object being lifted to the eyebolt of the clamp.
6. Take up the slack on the lifting chain, and visually inspect to ensure that the clamps are installed correctly and the lift cables or chains are not twisted, kinked or frayed.
7. Stand clear while the load is lifted slightly. Visually inspect that the clamps are attached properly, that the load is balanced and is safe to lift further.
8. When the load is moved and lowered to its proper location, provide slack in the lift cable and detach the clamps by rotating the handle assembly counter-clockwise until the jaws are open enough to remove the clamp.

SAFETY WARNINGS

READ ALL INSTRUCTIONS BEFORE USING THIS TOOL

1. KEEP WORK AREA CLEAN. Cluttered areas invite injuries. Do not use tools in damp, wet, or poorly lit locations. Don't expose to rain. Keep work area well lit.
2. KEEP CHILDREN AWAY. Children must never be allowed in the work area. Do not let them handle machines, tools, or equipment.
3. STORE IDLE EQUIPMENT. When not in use, tools must be locked up in a dry location to inhibit rust. Always lock up tools and keep out of reach of children.
4. DO NOT FORCE THE TOOL. It will do the job better and more safely at the rate for which it was intended. Do not

use inappropriate attachments in an attempt to exceed the tools capacities.

5. USE THE RIGHT TOOL FOR THE JOB. Do not use a tool for a purpose for which it was not intended.
6. DRESS PROPERLY. Do not wear loose clothing or jewelry, as they can be caught in moving parts. Non-skid footwear is recommended. Wear restrictive hair covering to contain long hair. Always wear appropriate work clothing.
7. DO NOT OVERREACH. Keep proper footing and balance at all times, Do not reach over or across running machines.
8. MAINTAIN TOOLS WITH CARE. Keep tools maintained and clean for better and safer performance.

SPECIAL WARNINGS WHEN USING THESE CLAMPS

1. Wear appropriate work gloves and safety shoes when handling this tool and heavy items.
2. Do not allow this clamp to fall on your own or a co-worker's hands or feet.
3. When in use, stand away from this tool, the lift cable or chain, and the lifted object. If the tool should slip, or the cable or chain breaks, the lifted object may unexpectedly fall, possibly causing personal injury.
4. Use only well-made lift chains or cables in good condition which exceed the weight capacity of items you will be lifting.
5. Do not exceed the weight capacity of these clamps.
6. These beam clamps are designed mainly for hanging components from beams but can be used for lifting beams if at least two clamps are used, preferably with a spreader bar. There are clamps specifically made for lifting beams. Whether hanging from clamps or lifting with clamps, lift or supporting lines should always be vertical from clamp.

MAINTENANCE AND TROUBLESHOOTING

The robust and simple design of these clamps will provide a long service life with minimal maintenance or repair required.

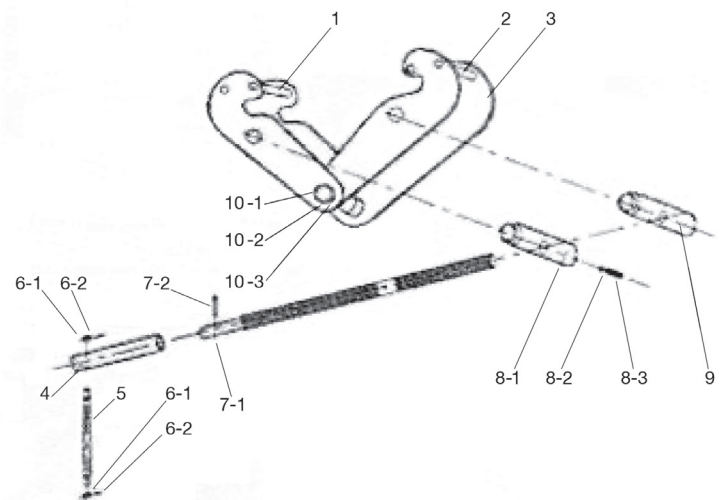
1. Avoid damage to the screw, and dirt and grit from attaching to it when in use.
2. Periodically open the clamp jaws all the way, and clean any grit or contaminants from the screw threads. Apply a light coating of grease to prevent rust, and provide lubrication.
3. Protect the Speed Handle function from damage by keeping the Lock Nut fixed on the Handle Adapter in either the straight or 90° position.

FEATURES

1. These clamps are ideal for quickly creating a solid, yet movable attachment point on I-beams for lifting heavy objects.
2. Heavy-duty steel construction is good for years of use.
3. Clamps attach and release quickly and easily without tools, yet provide a secure grip.
4. Special threaded rod clamp mechanism with speed handle improves worksite productivity.
5. These clamps have a safety feature that locks the threaded screw in place.

Pin Type

1	Spacing A
2	Spacing B
3	Side Plate
4	Handle Adapter
5	Handle
6-1	Handle Head
6-2	Spring Columnar Pin
7-1	Screw
7-2	Spring Columnar Pin
8-1	Left Thread Axle
8-2	Copper washer
8-3	Inner hexagon fixed bolt M10
9	Right Thread Axle
10-1	Suspension Beam
10-2	Washer
10-3	Thin Washer



Round Eye Type

1	Spacing A
2	Spacing B
3	Side Plate
4	Handle Adapter
5	Handle
6-1	Handle Head
6-2	Spring Columnar Pin
7-1	Screw
7-2	Locknut
7-3	Spring Columnar Pin
8	Left Thread Axle
9	Right Thread Axle
10-1	Suspension Beam
10-2	Washer
10-3	Thin Washer

